



ELECSTOR - DELTA

60W Mini DC UPS - 14400mAh - 46WH

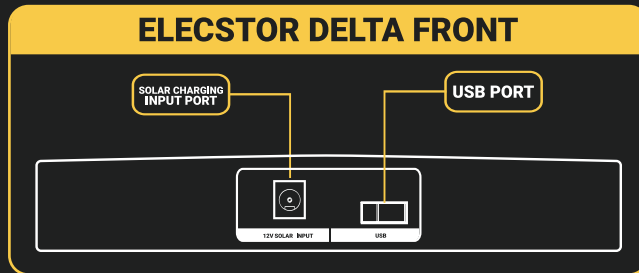
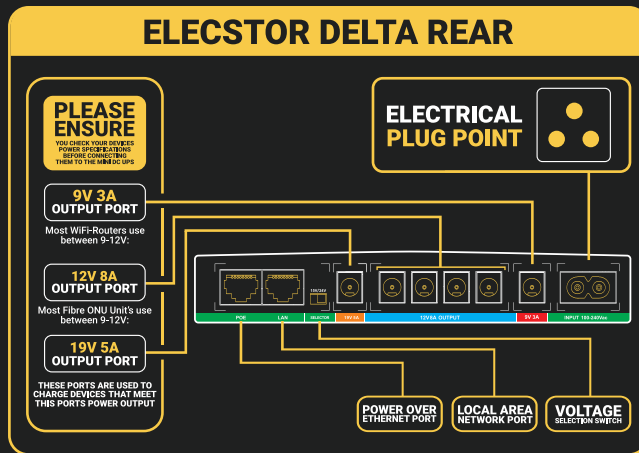


Thank you for choosing the ELECSTOR-DELTA

Before operating this unit, please read the USER MANUAL carefully to get the most out of this device

ALWAYS CHECK THE VOLTAGE, CURRENT AND POLARITY OF YOUR DEVICE IN ORDER TO SELECT THE CORRECT CORRESPONDING VOLTAGE WHEN CONNECTING TO THE UPS.

1. Technical diagram:



2. Product features:

- High capacity LiFePO4 battery technology. This robust battery technology is superior to Lithium Ion variants giving the Elecstor Delta longer discharge times as well as increasing the overall battery lifespan.
- High compatibility, suitable for most digital products available in the market
- USB output (5V) can supply charging for a wide range of smart products such as: wifi router, fibre ONU, mobile phones and more.
- Power Over Ethernet (POE) is able to transmit the data from your router as well as power from the Elecstor Delta Unit to keep your routers and fibre solutions running.
- The Elecstor Delta was built with Intelligent circuit design. To ensure your devices safety it comes with built in over-charging, over-discharging and short circuit protection.

3. Estimated device run times:



THE DEPICTED RUN TIMES HAVE BEEN ESTABLISHED USING A COMMON RANGE OF GENERIC DEVICES. ACTUAL RUN TIMES MAY VARY DEPENDING ON THE SPECIFICATIONS OF YOUR SPECIFIC DEVICE

1

2

WARNING

Please ensure that the **COMBINED POWER DRAW** of the connected devices **DOES NOT EXCEED 60W**. The **MAXIMUM OUTPUT** of the connected devices must never under any circumstances exceed the **Elecstor-Delta** design limit of **60W**.

To determine the amount of power demand in **Watts (W)**, look on the unit's marking plate (Generally located on the products power adapter or on the rear of the product. Take the **Voltage (V)** and multiply it by the **Amperage (A)** to determine the **Wattage (W)**

FORMULA EXAMPLE
6V x 2A = 12W

CAUTION: If the combined powerdraw of the connected devices exceeds **60W**, then it may cause damage to the **Elecstor-Delta**



ELECSTOR - ECO SYSTEM

MINI DC UPS:



PERFECT FOR NETWORKING DEVICES AND FOR KEEPING YOUR PHONE CHARGED DURING AN OUTAGE

PORTABLE POWER STATIONS



AVAILABLE IN 100W, 300W AND 500W PORTABLE POWER STATIONS

RECHARGABLE LOADSHEDDING GLOBES



PERFECT FOR KEEPING THE LIGHTS ON DURING A POWER OUTAGE

WARNING

DO NOT DISASSEMBLE, SQUEEZE, SHORT-CIRCUIT THE BATTERIES INSIDE THE ELECSTOR MINI DC UPS UNIT
DO NOT DISPOSE OF THE BATTERIES IN WATER OR FIRE
DO NOT STORE OR PLACE THE DEVICE IN ANY AREA THAT REACHES TEMPERATURES OF OVER 60°C [140°F]



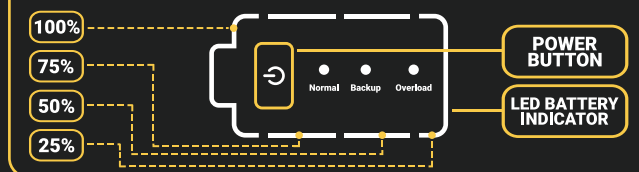
4 hours recharge time

PLEASE ENSURE THAT THIS DEVICE IS **FULLY CHARGED BEFORE FIRST USE**

4. Directions for use:

- Please fully charge the device before first use by plugging the device into a wall socket.
- To switch on the device, press and hold the (I/O) power button for 3 seconds.
 - Once the device is connected to a power source the status light will turn green.
 - When the device is charging the battery indicator lights will begin to flash.
 - When the device is fully charged the battery indicator lights will stop flashing.
 - The battery status indicator represents 25%, 50%, 75% and 100% battery life.
 - When the device is disconnected from a power source the STATUS LIGHT will turn red which indicates that the device has now entered backup power mode and will begin draining the onboard batteries to provide backup power.
 - Once the device reaches 25% battery life the status light will begin flashing: This indicates that the device's battery is critically low.

Elecstor Delta power indicator



- This device includes 9V, 12V and 19V DC output ports, to correspond with the input of various devices.
 - Please ensure that the total power of all connected devices **DOES NOT EXCEED** the maximum power output **60W**
 - If the 60W power output limit is exceeded, the ports will malfunction, and the status light will flash yellow.
- To power a router and fibre ONU, or any other device from the DC ports – plug the single end of the splitter cable into one of the 9V/12V/19V DC output ports.
Plug the other end of the splitter cable into the DC ports on the router and fibre box. Adapters are included to match the different input port sizes on different devices.
- To make use the POE functionality on the Elecstor Delta your devices must be POE compatible.
To power a router and fibre ONU from the POE port you will need to connect a LAN cable from your routers POE Port to the Elecstor Deltas POE port.
The Elecstor Delta comes with an ethernet port that will allow for the direct transmission of data. A LAN cable can then be connected from the Elecstor Delta's Ethernet port to the device that requires internet access.
- When using the USB port, connect your device to the front of the unit.
- The Mini DC UPS will shut down automatically when the battery is low. Once the power is restored the device will automatically turn itself back on and begin to recharge until the battery until full.
- When this device is not in use, ensure that it is fully charged and stored in a cool, dry place. To ensure that the battery does not degrade it is recommended to recharge the device once per month when not in use.

3

5. Product specifications:

MODEL	ELECSTOR DELTA			
RATED FREQUENCY	50 - 60Hz			
INPUT VOLTAGE RANGE	85~150Vac / 150~275Vac			
OUTPUT POWER (MAX)	60W / 100W			
OUTPUT	USB INTERFACE	DC INTERFACE		POE INTERFACE
OUTPUT VOLTAGE (SELECTABLE)	5Vdc	19Vdc	12VdcX5	9Vdc
OUTPUT POLARITY	Standard	-		+
OUTPUT POWER & CURRENT (IN COMMON)	2.0A / 10W	5.0A/ 95W	8.0A/ 96W	3.0A/ 27W
SOLAR INPUT VOLTAGE RANGE	12~25Vdc			
SOLAR INPUT POLARITY	-			
QTY & CAPACITY OF BATTERY	1800 mAh * 8 LiFePO4			
UNIT DIMENSIONS (MM)	252 x 146 x 45			
NET WEIGHT (KG)	0.94			

WARNING

- Please ensure that you fully charge the Elecstor Delta before first use.
- Before connecting a device, you must ensure that the voltage of the loads corresponds with the selected voltage on the Mini DC UPS unit.
- The product warranty will be voided in cases where the unit has been dropped, hit, disassembled, or privately repaired.
- This device is not waterproof and should be kept safely away from any liquids.
- This device is not fireproof and should be kept away from flammable environments.
- This device should be kept away from fire and any source of heating.
- Keep this device safely out of reach of children.

TO ENSURE THAT THE ELECSTOR DELTA IS TRANSPORTED SAFELY, THE DEVICE IS FORBIDDEN FROM LEAVING THE FACTORY WITH A FULL CHARGE. PLEASE FULLY CHARGE YOUR UNIT BEFORE FIRST USE!



4