



ELECSTOR RECHARGEABLE FAN

DESK FAN - 12 INCH



Perfect for loadshedding!

INSTRUCTION MANUAL

Thank you for purchasing an Elecstor Rechargeable Fan, please read the instructions carefully before use.

The manual includes a warranty card. Please contact our support team if you experience any issues with the fan.

PRODUCT PARAMETERS

Description

Designed to provide a refreshing breeze in the hot summer heat, this rechargeable fan is a must-have addition to your home or office. The built-in rechargeable battery ensures you remain cool and refreshed, even during power outages. Elevate your cooling experience with the Elecstor rechargeable table fan, which combines convenience and portability to keep you cool, on the go.

Specifications

- Size: 12 inches
- Material: ABS+PP
- Voltage Compatibility: 110-240V
- Battery Type: Lead Acid
- USB Port: 5V
- DC Power Input: 9V

Features

- Rechargeable Battery: Operational during power outages
- Adjustable Fan Speeds: 9 adjustable settings
- User-Friendly Controls
- Operating Time: 3 - 10 hours depending on the speed
- Efficient Charging: 10-12 hours
- Night Light Functionality
- Convenient Remote Control

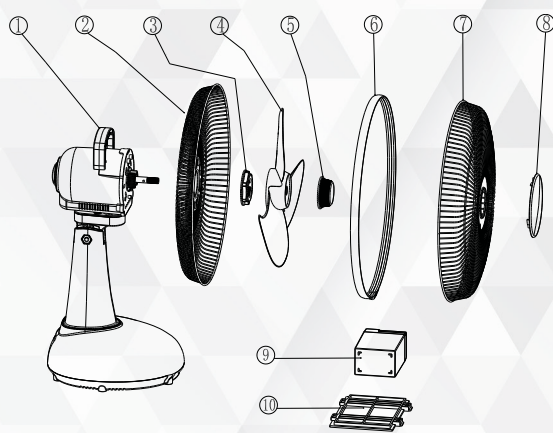
ATTENTION

1. Please ensure that the voltage indicated on the appliance corresponds with the mains voltage.
2. When the LED dims, please recharge the product.
3. Charge at least once in every 3 months for 10 hours, when the appliance is not in use.
4. Please keep the fan switched OFF status when not in use.
5. Suitable operating ambient humidity level is 0°C-40°C.
6. Please keep this product away from water.

PRODUCT INSTRUCTIONS

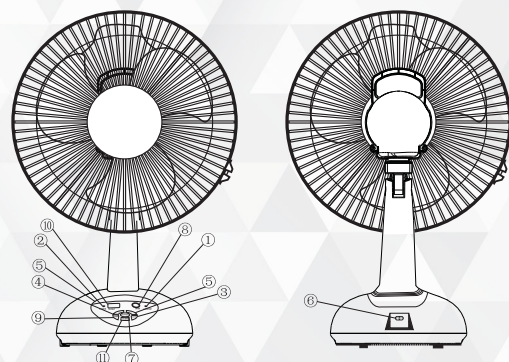
1. Plug in the cord into the AC socket and connect the power supply to the fan.
2. The red indicator light will appear when the device is charging.
3. It is normal for the fan to feel slightly warm while charging.
4. Once the indicator light turns green, the fan is ready to be used.

PRODUCT DESCRIPTION



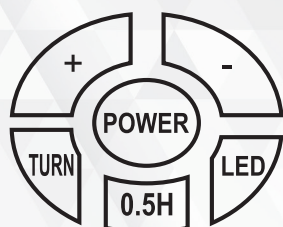
- Handle
- Back cover
- Fixed ring of grill
- Fan blade
- Fixed knob of blade
- Big fixed ring
- Front cover
- Protecting cover
- Battery
- Battery cover

- Red LED charging indicator
- Green LED operating indicator
- LED switch
- Adjustable speed switch
- Transparent cover
- AC plug socket
- Fan switch
- DC socket
- Oscillation control lock
- USB socket
- Time switch



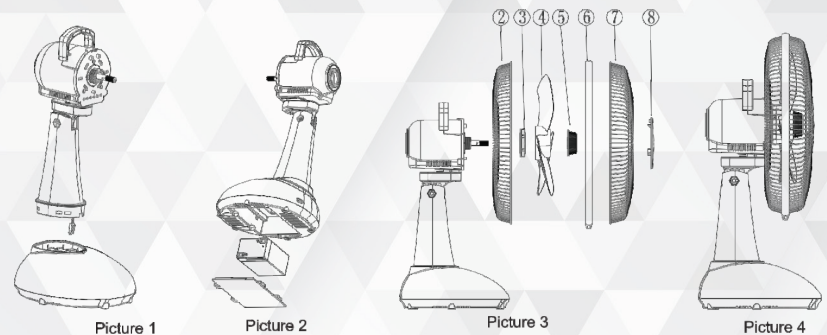
Function

- Power: Turn on or turn off the fan
- + Increase fan speed
- Decrease fan speed
- 0.5 Hours timer
- LED light on/off switch
- TURN: Oscillation control lock



HOW TO ASSEMBLE THE FAN

To insert the battery, connect the "+" to the red cord and the "-" to the black cord. Place the cover over the battery and tighten the screws. Assemble the fan as depicted below in picture 3. To lock the blade into place, turn anticlockwise. As shown in picture 4, fan is complete.



CAUTION

1. Do not discard this product with regular household waste. The battery must be recycled after disposal due to its environmental impact.
2. If the power cord of the device is damaged, it must be replaced exclusively by the manufacturer, their authorized service agent, or a qualified professional to prevent potential hazards.
3. This appliance is not intended for use by individuals, including children, who have physical, sensory, or mental limitations or lack experience and knowledge in its operation, unless they are under the supervision or instruction of a responsible person regarding its safe use.
4. Children should be supervised to ensure that they do not play with the appliance.



DISTRIBUTED EXCLUSIVELY BY APEX INTERACTIVE

Struggling with your device? We can help. Contact our support team:

support@apexint.co.za
support: 086 100 2236